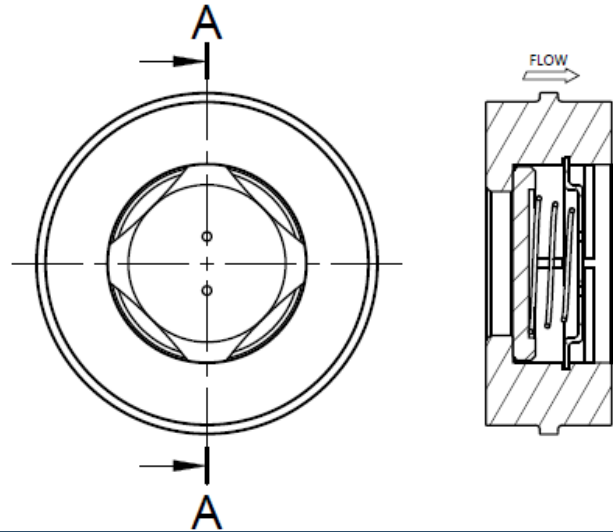




SHORT PATTERN SPRUNG DISC

SPECIAL CHARACTERISTICS

- Lightweight
- Compact
- Economical
- Easily Installed
- Tight shut-off (resilient Seat)
- Anti Slam
- Complies fully with BS 7438
- Suitable for vertical pipe
- Suitable for all common flanges



| | |
|---|---|
| Model # | 545 |
| Body | ASTM A351 CF8M |
| Disc | 316 S.S. |
| Retainer | 316 S.S. |
| Seat: (Metal) Suffix 'M' (Viton) Suffix 'V' (P.T.F.E) Suffix 'P' (EPDM) Suffix 'E' (Neoprene) Suffix 'N' (Buna-N) Suffix 'B' (Peek) Suffix 'K' | Max. Temp. 538°C 204°C 250°C 120°C 120°C 120°C 250°C |
| Spring: Stainless Steel Inconel-X-750 Titanium Hastelloy P.F.A coated | Suffix 'S' Suffix 'X' Suffix 'T' Suffix 'H' Suffix 'C' |

PRINCIPLE DIMENSIONS

| | | | | | | | | | |
|----------------------------|-------------------------------|-----|-----|-----|-----|-----|-----|-----|-----|
| Nominal Size 'DN' (mm) | 15 | 20 | 25 | 32 | 40 | 50 | 65 | 80 | 100 |
| Outlet Bore 'ID' (mm) | 23 | 28 | 34 | 44 | 50 | 60 | 76 | 90 | 106 |
| Length 'L' (mm) | 16 | 19 | 22 | 28 | 32 | 40 | 46 | 50 | 60 |
| Outside Diameter 'OD' (mm) | Please see OD chart on page 2 | | | | | | | | |
| Weight (Kg) | 0.2 | 0.3 | 0.6 | 0.8 | 1.0 | 1.5 | 2.5 | 3.5 | 5.0 |

Working Pressure up to 100 BarG

Abacus Valves International Ltd
Block 4, Riverside Road,
Paddockholm Ind. Est.,
Kilbirnie. KA25 7EW
t: +44(0)1505 681777
www.abacusvalves.com
sales@abacusvalves.com

Notes:

- Wafer pattern design offers significant space and weight reduction compared with traditional flanged valve design.
- Superior by design
- 24 hour quotation turn around
- Comprehensive stocks
- Worldwide distribution
- Technical assistance and advice always available



OUTSIDE DIAMETERS FOR WAFER CHECK VALVES

| Size (mm) | Size (in) | PN6 | PN10 | PN16 | PN25 | PN40 | Table 'D' | Table 'E' | ANSI 150 | ANSI 300 | ANSI 600 | ANSI 900 | ANSI 1500 | ANSI 2500 |
|-----------|-----------|-----|------|------|------|------|-----------|-----------|----------|----------|----------|----------|-----------|-----------|
| 15 | 0.5 | 45 | 53 | 53 | 53 | 53 | 54 | 54 | 48 | 54 | 54 | 63 | 63 | 70 |
| 20 | 0.75 | 55 | 63 | 63 | 63 | 63 | 60 | 60 | 57 | 67 | 67 | 70 | 70 | 76 |
| 25 | 1.0 | 65 | 73 | 73 | 73 | 73 | 70 | 70 | 67 | 73 | 73 | 79 | 79 | 85 |
| 40 | 1.5 | 88 | 94 | 94 | 94 | 94 | 86 | 86 | 86 | 95 | 95 | 98 | 98 | 117 |
| 50 | 2.0 | 98 | 109 | 109 | 109 | 109 | 99 | 99 | 105 | 111 | 111 | 143 | 143 | 146 |
| 65 | 2.5 | 118 | 129 | 129 | 129 | 129 | 111 | 111 | 124 | 130 | 130 | 165 | 165 | 168 |
| 80 | 3.0 | 134 | 144 | 144 | 144 | 144 | 130 | 130 | 137 | 149 | 149 | 168 | 174 | 197 |
| 100 | 4.0 | 154 | 164 | 164 | 170 | 170 | 162 | 162 | 175 | 181 | 193 | 206 | 209 | 235 |

Please note:

1. The check valves above are not suitable for heavily pulsating flow such as can be experienced to reciprocating pumps or compressors
2. If the wafer check valve you require is not shown or if you have a special design requirement, please contact us on +44 (0) 15050 681777 or sales@abacusvalves.com

Abacus Valves International Ltd
 Block 4, Riverside Road,
 Paddockholm Ind. Est.,
 Kilbirnie, KA25 7EW
 t: +44(0)105 681777
www.abacusvalves.com
sales@abacusvalves.com

Notes:

- **Wafer pattern design offers significant space and weight reduction compared with traditional flanged valve design.**
- **Superior by design**
- **24 hour quotation turn around**
- **Comprehensive stocks**
- **Worldwide distribution**
- **Technical assistance and advice always available**