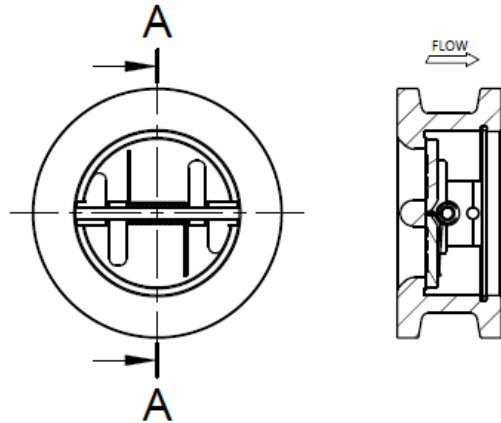


# RETAINERLESS LONG PATTERN TWIN PLATE



## SPECIAL CHARACTERISTICS

- Lightweight
- Compact
- Economical
- No Leak Path to the Atmosphere
- Easily Installed
- Tight Shut-off (Resilient Seat)
- Anti-Slam
- Complies with API 594
- Suitable for all common flanges



Model #	417	427	437	447	457	467	477	487
Body (See Table A)	Bronze	WCB Steel	LCC Steel	316 S.S.	Monel	Titanium	Hastelloy	Duplex SS
Plates	Bronze	316 S.S.	316 S.S.	316 S.S.	Monel	Titanium	Hastelloy	Duplex SS
Pin Carriers	Bronze	316 S.S.	316 S.S.	316 S.S.	Monel	Titanium	Hastelloy	Duplex SS
Pins	316 S.S.	316 S.S.	316 S.S.	316 S.S.	Monel	Titanium	Hastelloy	Duplex SS
Seat: (Metal) Suffix 'M' (Viton) Suffix 'V' 204°C (P.T.F.E) Suffix 'P' 250°C (Neoprene) Suffix 'N' 120°C Buna-N Suffix 'B' 120°C EPDM Suffix 'E' 120°C Peek Suffix 'K' 250°C	Max. Temp 260°C	Max. Temp 425°C	Max. Temp 425°C	Max. Temp 538°C	Max. Temp 475°C	Max. Temp 316°C	Max. Temp 675°C	Max. Temp 315°C
Spring:	Inconel Inconel-X Titanium Hastelloy					Suffix 'I' Suffix 'X' Suffix 'T' Suffix 'H'		
Retaining Clip	Inconel X-750							
Lug Bearings	Monel	427 & 447 Type Valves 316 S.S			Monel	Titanium	Hastelloy	Duplex S.S

## PRINCIPLE DIMENSIONS

Nominal Size 'DN' (mm)	50	65	80	100	125	150	200	250	300	350	400	450	500	600
Outlet Bore 'ID' (mm)	60	73	89	114	141	168	219	273	324	346	406	457	508	610
Length 'L' (mm)	60	67	73	73	86	98	127	146	181	184	191	203	219	222
	60	67	73	73	86	98	127	146	181	222	232	269	292	318
Outside Diameter 'OD' (mm)	Please see OD chart on page 2													
Approx. Mass (kg)	3	4	5	7	14	15	30	50	85	100	165	185	250	400

Working Pressure up to 50 BarG  
Larger sizes and specials on request

Higher pressures on request  
Double Flanged option available

Solid Lugged options available

Abacus Valves International Ltd  
Block 4, Riverside Road,  
Paddockholm Ind. Est.,  
Kilbirnie. KA25 7EW  
t: +44(0)1505 681777  
[www.abacusvalves.com](http://www.abacusvalves.com)  
[sales@abacusvalves.com](mailto:sales@abacusvalves.com)

### Notes:

- Wafer pattern design offers significant space and weight reduction compared with traditional flanged valve design.
- Superior by design
- 24 hour quotation turn around
- Comprehensive stocks
- Worldwide distribution
- Technical assistance and advice always available



## OUTSIDE DIAMETERS FOR WAFER CHECK VALVES

Size (mm)	Size (in)	PN6	PN10	PN16	PN25	PN40	Table 'D'	Table 'E'	ANSI 150	ANSI 300	ANSI 600	ANSI 900	ANSI 1500	ANSI 2500
40	1.5	88	94	94	94	94	86	86	86	95	95	98	98	117
50	2.0	98	109	109	109	109	99	99	105	111	111	143	143	146
65	2.5	118	129	129	129	129	111	111	124	130	130	165	165	168
80	3.0	134	144	144	144	144	130	130	137	149	149	168	174	197
100	4.0	154	164	164	170	170	162	162	175	181	193	206	209	235
125	5.0	184	194	194	196	196	194	194	197	216	241	247	254	279
150	6.0	209	220	220	226	226	219	214	222	251	266	289	282	317
200	8.0	264	275	275	286	293	276	273	279	308	320	359	352	387
250	10.0	319	330	331	343	355	336	336	339	362	400	435	435	476
300	12.0	375	380	386	403	420	387	384	409	422	457	498	520	549
350	14.0	425	440	446	460	477	448	448	451	486	492	521	578	-
400	16.0	475	491	498	517	549	499	499	514	540	565	575	641	-
450	18.0	-	541	558	567	574	562	562	549	597	613	638	705	-
500	20.0	580	596	620	627	631	619	619	606	654	683	699	756	-
600	24.0	681	698	737	734	747	730	730	718	775	791	838	902	-

Please note:

- The check valves above are not suitable for heavily pulsating flow such as can be experienced to reciprocating pumps or compressors
- If the wafer check valve you require is not shown or if you have a special design requirement, please contact us on +44 (0) 1505 681777 or [sales@abacusvalves.com](mailto:sales@abacusvalves.com)

Abacus Valves International Ltd  
 Block 4, Riverside Road,  
 Paddockholm Ind. Est.,  
 Kilbirnie. KA25 7EW  
 t: +44(0)1505 681777  
[www.abacusvalves.com](http://www.abacusvalves.com)  
[sales@abacusvalves.com](mailto:sales@abacusvalves.com)

**Notes:**

- **Wafer pattern design offers significant space and weight reduction compared with traditional flanged valve design.**
- **Superior by design**
- **24 hour quotation turn around**
- **Comprehensive stocks**
- **Worldwide distribution**
- **Technical assistance and advice always available**