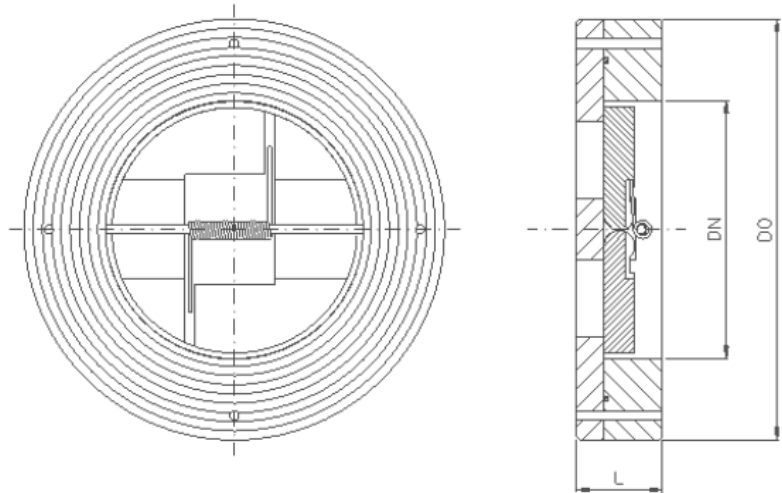




## SHORT PATTERN TWIN PLATE

### SPECIAL CHARACTERISTICS

- Lightweight
- Compact
- Economical
- Easily Installed
- Tight shut-off (resilient seat)
- Anti Slam
- Suitable for all common flanges



| Model #  | 704   | 724                       | 734  | 744                      |
|--|---|---------------------------|--|--------------------------|
| Body   | P.P   | P.T.F.E                   | P.V.D.F  | P.V.C                    |
| Seat Carrier   | P.P   | P.T.F.E                   | P.V.D.F  | P.V.C                    |
| Plates   | P.P   | P.T.F.E                   | P.V.D.F  | P.V.C                    |
| Pin  | 316 S.S.  | 316 S.S.                  | 316 S.S.   | 316 S.S.                 |
| <b>Seat:</b><br>(Metal) Suffix 'M'<br>(Viton) Suffix 'V' 204°C<br>(P.T.F.E) Suffix 'P' 250°C<br>(Neoprene) Suffix 'N' 120°C<br>Buna-N Suffix 'B' 120°C<br>EPDM Suffix 'E' 120°C<br>Peek Suffix 'K' 250°C | <b>Max. Temp</b><br>100°C                                 | <b>Max. Temp</b><br>250°C | <b>Max. Temp</b><br>140°C                            | <b>Max. Temp</b><br>60°C |
| <b>Spring:</b>   | Stainless Steel<br>Inconel-X-750<br>Titanium<br>Hastelloy |                           | Suffix 'S'<br>Suffix 'X'<br>Suffix 'T'<br>Suffix 'H' |                          |

### PRINCIPLE DIMENSIONS

| Nominal Size 'DN' (mm)     | 50                            | 65 | 80 | 100 | 125 | 150 | 200 |
|----------------------------|-------------------------------|----|----|-----|-----|-----|-----|
| Min. out. Pipe bore (mm)   | 50                            | 63 | 78 | 90  | 115 | 140 | 180 |
| Length 'L' (mm)            | 17                            | 20 | 24 | 27  | 32  | 32  | 45  |
| Outside Diameter 'OD' (mm) | Please see OD chart on page 2 |    |    |     |     |     |     |
| Weight (Kg)                | 1                             | 1  | 2  | 2   | 3   | 4   | 6   |

Working Pressure up to 10 BarG

Lugged style on request

Larger sizes on request

Abacus Valves International Ltd  
Block 4, Riverside Road,  
Paddockholm Ind. Est.,  
Kilbirnie. KA25 7EW  
t: +44(0)1505 681777  
[www.abacusvalves.com](http://www.abacusvalves.com)  
[sales@abacusvalves.com](mailto:sales@abacusvalves.com)

#### Notes:

- Wafer pattern design offers significant space and weight reduction compared with traditional flanged valve design.
- Superior by design
- 24 hour quotation turn around
- Comprehensive stocks
- Worldwide distribution
- Technical assistance and advice always available



## OUTSIDE DIAMETERS FOR WAFER CHECK VALVES

| Size (mm) | Size (in) | PN6 | PN10 | PN16 | PN25 | PN40 | Table 'D' | Table 'E' | ANSI 150 | ANSI 300 | ANSI 600 | ANSI 900 | ANSI 1500 | ANSI 2500 |
|-----------|-----------|-----|------|------|------|------|-----------|-----------|----------|----------|----------|----------|-----------|-----------|
| 50        | 2.0       | 98  | 109  | 109  | 109  | 109  | 99        | 99        | 105      | 111      | 111      | 143      | 143       | 146       |
| 65        | 2.5       | 118 | 129  | 129  | 129  | 129  | 111       | 111       | 124      | 130      | 130      | 165      | 165       | 168       |
| 80        | 3.0       | 134 | 144  | 144  | 144  | 144  | 130       | 130       | 137      | 149      | 149      | 168      | 174       | 197       |
| 100       | 4.0       | 154 | 164  | 164  | 170  | 170  | 162       | 162       | 175      | 181      | 193      | 206      | 209       | 235       |
| 125       | 5.0       | 184 | 194  | 194  | 196  | 196  | 194       | 194       | 197      | 216      | 241      | 247      | 254       | 279       |
| 150       | 6.0       | 209 | 220  | 220  | 226  | 226  | 219       | 214       | 222      | 251      | 266      | 289      | 282       | 317       |
| 200       | 8.0       | 264 | 275  | 275  | 286  | 293  | 276       | 273       | 279      | 308      | 320      | 359      | 352       | 387       |

Please note:

1. The check valves above are not suitable for heavily pulsating flow such as can be experienced to reciprocating pumps or compressors
2. If the wafer check valve you require is not shown or if you have a special design requirement, please contact us on +44 (0) 1505 681777 or [sales@abacusvalves.com](mailto:sales@abacusvalves.com)

Abacus Valves International Ltd  
 Block 4, Riverside Road,  
 Paddockholm Ind. Est.,  
 Kilbirnie. KA25 7EW  
 t: +44(0)1505 681777  
[www.abacusvalves.com](http://www.abacusvalves.com)  
[sales@abacusvalves.com](mailto:sales@abacusvalves.com)

**Notes:**

- Wafer pattern design offers significant space and weight reduction compared with traditional flanged valve design.
- Superior by design
- 24 hour quotation turn around
- Comprehensive stocks
- Worldwide distribution
- Technical assistance and advice always available