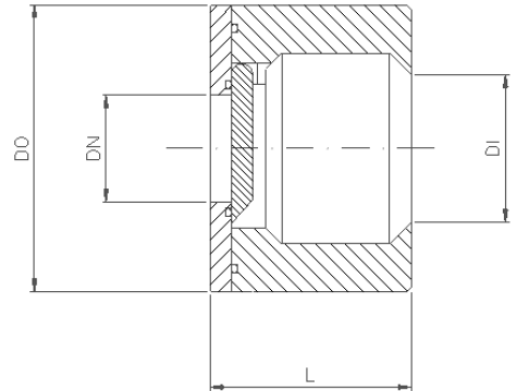
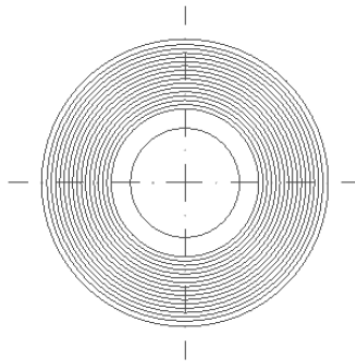




FULL BORE SWING TYPE

SPECIAL CHARACTERISTICS

- Full bore
- Lightweight
- Compact
- Economical
- Low maintenance
- Easily Installed
- Tight shut-off (resilient seat)
- One moving part
- One piece disc & shaft for maximum strength
- Suitable for all common flanges
- Retained disc



Model #	700	720	730	740
Body	P.P	P.T.F.E	P.V.D.F	P.V.C
Seat Carrier	P.P	P.T.F.E	P.V.D.F	P.V.C
Disc	P.P	P.T.F.E	P.V.D.F	P.V.C
Seat: (Metal) Suffix 'M' (Viton) Suffix 'V' 204°C P.T.F.E Suffix 'P' 250°C (Neoprene) Suffix 'N' 120°C Buna-N Suffix 'B' 120°C EPDM Suffix 'E' 120°C Peek Suffix 'K' 250°C	Max. Temp 100°C	Max. Temp 250°C	Max. Temp 140°C	Max. Temp 60°C

PRINCIPLE DIMENSIONS

Nominal Size 'DN' (mm)	25	40	50	65	80	100
Length 'L' (mm)	51	68	78	93	108	130
Outside Diameter 'OD' (mm)	Please see OD chart on page 2					
Weight (Kg)	0.6	1	1.5	2	3	4

Working Pressure up to 10 BarG

Lugged style on request

Larger sizes on request

Abacus Valves International Ltd
Block 4, Riverside Road,
Paddockholm Ind. Est.,
Kilbirnie. KA25 7EW
t: +44(0)1505 681777
www.abacusvalves.com
sales@abacusvalves.com

Notes:

- Wafer pattern design offers significant space and weight reduction compared with traditional flanged valve design.
- Superior by design
- 24 hour quotation turn around
- Comprehensive stocks
- Worldwide distribution
- Technical assistance and advice always available



OUTSIDE DIAMETERS FOR WAFER CHECK VALVES

Size (mm)	Size (in)	PN6	PN10	PN16	PN25	PN40	Table 'D'	Table 'E'	ANSI 150	ANSI 300	ANSI 600	ANSI 900	ANSI 1500	ANSI 2500
25	1.0	65	73	73	73	73	70	70	67	73	73	79	79	85
40	1.5	88	94	94	94	94	86	86	86	95	95	98	98	117
50	2.0	98	109	109	109	109	99	99	105	111	111	143	143	146
65	2.5	118	129	129	129	129	111	111	124	130	130	165	165	168
80	3.0	134	144	144	144	144	130	130	137	149	149	168	174	197
100	4.0	154	164	164	170	170	162	162	175	181	193	206	209	235

Please note:

- The check valves above are not suitable for heavily pulsating flow such as can be experienced to reciprocating pumps or compressors
- If the wafer check valve you require is not shown or if you have a special design requirement, please contact us on +44 (0) 15050 681777 or sales@abacusvalves.com

Abacus Valves International Ltd
 Block 4, Riverside Road,
 Paddockholm Ind. Est.,
 Kilbirnie. KA25 7EW
 t: +44(0)1505 681777
www.abacusvalves.com
sales@abacusvalves.com

Notes:

- **Wafer pattern design offers significant space and weight reduction compared with traditional flanged valve design.**
- **Superior by design**
- **24 hour quotation turn around**
- **Comprehensive stocks**
- **Worldwide distribution**