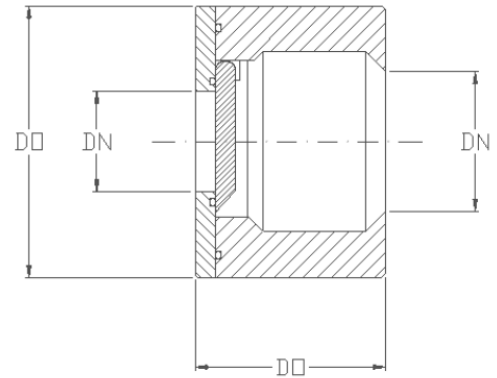
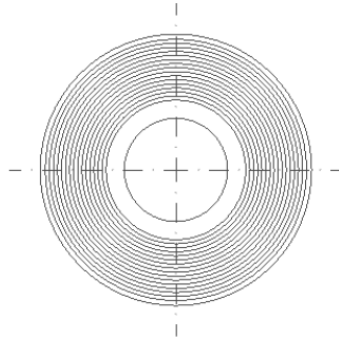


FULL BORE SWING TYPE



SPECIAL CHARACTERISTICS

- Full Bore
- Lightweight
- Compact
- Economical
- Low Maintenance
- Easily Installed
- Tight shut-off (resilient seat)
- One Moving Part
- One Piece disc and shaft for maximum strength
- Retained Disc



| Model # | 719 | 729 | 749 | 759 | 769 | 779 | 789 |
|--|--------------------|--------------------|--------------------|--------------------|--------------------|--------------------|--------------------|
| Body (See Table A) | Bronze | Carbon Steel | 316 S.S. | Monel | Titanium | Hastelloy | D.S.S |
| Seat Carrier | Bronze | 316 S.S. | 316 S.S. | Monel | Titanium | Hastelloy | D.S.S |
| Disc | Bronze | 316 S.S. | 316 S.S. | Monel | Titanium | Hastelloy | D.S.S |
| Seat: (Metal) Suffix 'M' (Viton) Suffix 'V' 204°C (P.T.F.E) Suffix 'P' 250°C (Neoprene) Suffix 'N' 120°C Buna-N Suffix 'B' 120°C EPDM Suffix 'E' 120°C Peek Suffix 'K' 250°C | Max. Temp 260°C | Max. Temp 425°C | Max. Temp 538°C | Max. Temp 475°C | Max. Temp 316°C | Max. Temp 675°C | Max. Temp 315°C |

PRINCIPLE DIMENSIONS

| | | | | | | | | |
|----------------------------|-------------------------------|-----|-----|-----|-----|-----|-----|-----|
| Nominal Size 'DN' (mm) | 15 | 20 | 25 | 40 | 50 | 65 | 80 | 100 |
| Length 'L' (mm) | 37 | 44 | 51 | 68 | 78 | 93 | 108 | 130 |
| Outside Diameter 'OD' (mm) | Please see OD chart on page 2 | | | | | | | |
| Weight (Kg) | 0.5 | 0.7 | 1.0 | 1.8 | 2.5 | 4.0 | 6.0 | 8.0 |

Working Pressure up to 100 BarG
Lugged style on request

Higher Pressure on request
Larger sizes on request

Abacus Valves International Ltd
Block 4, Riverside Road,
Paddockholm Ind. Est.,
Kilbirnie. KA25 7EW
t: +44(0)1505 681777
www.abacusvalves.com
sales@abacusvalves.com

Notes:

- Wafer pattern design offers significant space and weight reduction compared with traditional flanged valve design.
- Superior by design
- 24 hour quotation turn around
- Comprehensive stocks
- Worldwide distribution
- Technical assistance and advice always available



OUTSIDE DIAMETERS FOR WAFER CHECK VALVES

| Size (mm) | Size (in) | PN6 | PN10 | PN16 | PN25 | PN40 | Table 'D' | Table 'E' | ANSI 150 | ANSI 300 | ANSI 600 | ANSI 900 | ANSI 1500 | ANSI 2500 |
|-----------|-----------|-----|------|------|------|------|-----------|-----------|----------|----------|----------|----------|-----------|-----------|
| 15 | 0.5 | 45 | 53 | 53 | 53 | 53 | 54 | 54 | 48 | 54 | 54 | 63 | 63 | 70 |
| 20 | 0.75 | 55 | 63 | 63 | 63 | 63 | 60 | 60 | 57 | 67 | 67 | 70 | 70 | 76 |
| 25 | 1.0 | 65 | 73 | 73 | 73 | 73 | 70 | 70 | 67 | 73 | 73 | 79 | 79 | 85 |
| 40 | 1.5 | 88 | 94 | 94 | 94 | 94 | 86 | 86 | 86 | 95 | 95 | 98 | 98 | 117 |
| 50 | 2.0 | 98 | 109 | 109 | 109 | 109 | 99 | 99 | 105 | 111 | 111 | 143 | 143 | 146 |
| 65 | 2.5 | 118 | 129 | 129 | 129 | 129 | 111 | 111 | 124 | 130 | 130 | 165 | 165 | 168 |
| 80 | 3.0 | 134 | 144 | 144 | 144 | 144 | 130 | 130 | 137 | 149 | 149 | 168 | 174 | 197 |
| 100 | 4.0 | 154 | 164 | 164 | 170 | 170 | 162 | 162 | 175 | 181 | 193 | 206 | 209 | 235 |

Please note:

- The check valves above are not suitable for heavily pulsating flow such as can be experienced to reciprocating pumps or compressors
- If the wafer check valve you require is not shown or if you have a special design requirement, please contact us on +44 (0) 1505 681777 or sales@abacusvalves.com

Abacus Valves International Ltd
 Block 4, Riverside Road,
 Paddockholm Ind. Est.,
 Kilbirnie. KA25 7EW
 t: +44(0)1505 681777
www.abacusvalves.com
sales@abacusvalves.com

Notes:

- **Wafer pattern design offers significant space and weight reduction compared with traditional flanged valve design.**
- **Superior by design**
- **24 hour quotation turn around**
- **Comprehensive stocks**
- **Worldwide distribution**
- **Technical assistance and advice always available**