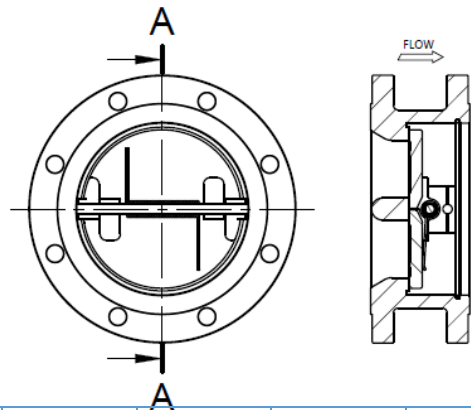


4X7U RANGE



SPECIAL CHARACTERISTICS

- Double flanged type (independent bolting arrangement)
- Retainerless design as standard
- No Leak Path to the Atmosphere
- Metal to metal seating for inherent fire safety
- Resilient Seat option
- API 594 design standard
- ASME B16.34 Pressure/Temp. ratings



Model #	417U	427U	437U	447U	457U	467U	477U	487U	
Body (See Table A)	Bronze	WCB Steel	LCC Steel	316 S.S.	Monel	Titanium	Hastelloy	Duplex SS	
Plates	Bronze	316 S.S.	316 S.S.	316 S.S.	Monel	Titanium	Hastelloy	Duplex SS	
Pin Carriers	Bronze	316 S.S.	316 S.S.	316 S.S.	Monel	Titanium	Hastelloy	Duplex SS	
Pins	316 S.S.	316 S.S.	316 S.S.	316 S.S.	Monel	Titanium	Hastelloy	Duplex SS	
Seat:	Max. Temp See Table A	Max. Temp See Table A	Max. Temp See Table A	Max. Temp See Table A	Max. Temp See Table A	Max. Temp See Table A	Max. Temp See Table A	Max. Temp See Table A	
(Metal) Suffix 'M'	204°C	204°C	204°C	204°C	204°C	204°C	204°C	204°C	
(Viton) Suffix 'V'	250°C	250°C	250°C	250°C	250°C	250°C	250°C	250°C	
(P.T.F.E) Suffix 'P'	120°C	120°C	120°C	120°C	120°C	120°C	120°C	120°C	
(Neoprene) Suffix 'N'	120°C	120°C	120°C	120°C	120°C	120°C	120°C	120°C	
Buna-N Suffix 'B'	120°C	120°C	120°C	120°C	120°C	120°C	120°C	120°C	
EPDM Suffix 'E'	250°C	250°C	250°C	250°C	250°C	250°C	250°C	250°C	
PeeK Suffix 'K'									
Spring:	Inconel Inconel-X Titanium Hastelloy	Suffix 'I' Suffix 'X' Suffix 'T' Suffix 'H'	Table A - Metal Bronze C95800 Carbon Steel Stainless Steel Monel Titanium Gr2 Hastelloy C276 Duplex Stainless Steel (F51)				Max. Temp 260°C 425°C 538°C 475°C 316°C 675°C 315°C		
Retaining Clip	316 S.S.								
Lug Bearings	316 S.S.								

Working Pressure up to BarG

Abacus Valves International Ltd
Block 4, Riverside Road,
Paddockholm Ind. Est.,
Kilbirnie. KA25 7EW
t: +44(0)1505 681777
www.abacusvalves.com
sales@abacusvalves.com

Notes:

- Wafer pattern design offers significant space and weight reduction compared with traditional flanged valve design.
- Superior by design
- 24 hour quotation turn around
- Comprehensive stocks
- Worldwide distribution
- Technical assistance and advice always available

4X7U RANGE—PRINCIPAL DIMENSIONS



ASME B16.5

DN	NPS	ASME Rating	End Facing	ØA (mm)	B (mm)	ØC (mm)	Approx Mass (kg)
50	2"	150	RF	150	60	60	8
		300	RF	165	60	60	9
		600	RF/RTJ 23	165	60	60	9
		900	RF/RTJ 24	215	70	60	12
		1500	RF/RTJ 24	215	70	60	12
		2500	RF/RTJ 26	235	70	60	16
65	2.5"	150	RF	180	67	73	9
		300	RF	190	67	73	11
		600	RF/RTJ 26	190	67	73	11
		900	RF/RTJ 27	245	83	73	16
		1500	RF/RTJ 27	245	83	73	16
		2500	RF/RTJ 28	265	83	73	24
80	3"	150	RF	190	73	89	13
		300	RF	210	73	89	15
		600	RF/RTJ 31	210	73	89	15
		900	RF/RTJ 31	240	83	89	22
		1500	RF/RTJ 35	265	83	89	26
		2500	RF/RTJ 32	305	86	89	35
100	4"	150	RF	230	73	114	18
		300	RF	255	73	114	25
		600	RF/RTJ 37	275	79	114	30
		900	RF/RTJ 37	290	102	114	40
		1500	RF/RTJ 39	310	102	114	55
		2500	RF/RTJ 38	355	105	114	70

DN	NPS	ASME Rating	End Facing	ØA (mm)	B (mm)	ØC (mm)	Approx Mass (kg)
125	5"	150	RF	255	86	141	22
		300	RF	280	86	141	30
		600	RF/RTJ 41	330	TBC	141	TBC
		900	RF/RTJ 41	350	TBC	141	TBC
		1500	RF/RTJ 44	375	TBC	141	TBC
		2500	RF/RTJ 42	420	TBC	141	TBC
150	6"	150	RF	280	98	170	35
		300	RF	320	98	170	45
		600	RF/RTJ 45	355	136	170	77
		900	RF/RTJ 45	380	159	170	105
		1500	RF/RTJ 46	395	159	170	120
		2500	RF/RTJ 47	485	159	170	170
200	8"	150	RF	345	127	220	65
		300	RF	380	127	220	85
		600	RF/RTJ 49	420	165	220	130
		900	RF/RTJ 49	470	206	220	210
		1500	RF/RTJ 50	485	206	220	215
		2500	RF/RTJ 51	550	206	220	280
250	10"	150	RF	405	146	275	95
		300	RF	445	146	275	125
		600	RF/RTJ 53	510	213	275	235
		900	RF/RTJ 53	545	241	275	325
		1500	RF/RTJ 54	585	248	275	380
		2500	RF/RTJ 55	675	254	275	500

Abacus Valves International Ltd
 Block 4, Riverside Road,
 Paddockholm Ind. Est.,
 Kilbirnie. KA25 7EW
 t: +44(0)1505 681777
www.abacusvalves.com
sales@abacusvalves.com

Notes:

- Wafer pattern design offers significant space and weight reduction compared with traditional flanged valve design.
- Superior by design
- 24 hour quotation turn around
- Comprehensive stocks
- Worldwide distribution
- Technical assistance and advice always available